

Features

Series:	T
Type:	60
Code:	07.625.114.11
Description:	T600560ENC12C12
Customer's code:	-
Colour:	Black

Last drawing

Index:	-	Date:	-
--------	---	-------	---

Application

-

Driveline data

X	1 3/8" Z6 DIN 9611
Y	1 3/8" Z6 DIN 9611
E	400
I	415
P	330

Overlap

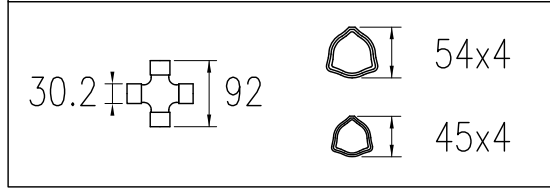
	Steel tubes	Guard
Max.	367	310
Min.	147	90

Greasing point

1)	-
2)	-

The dimensioning is cross to cross

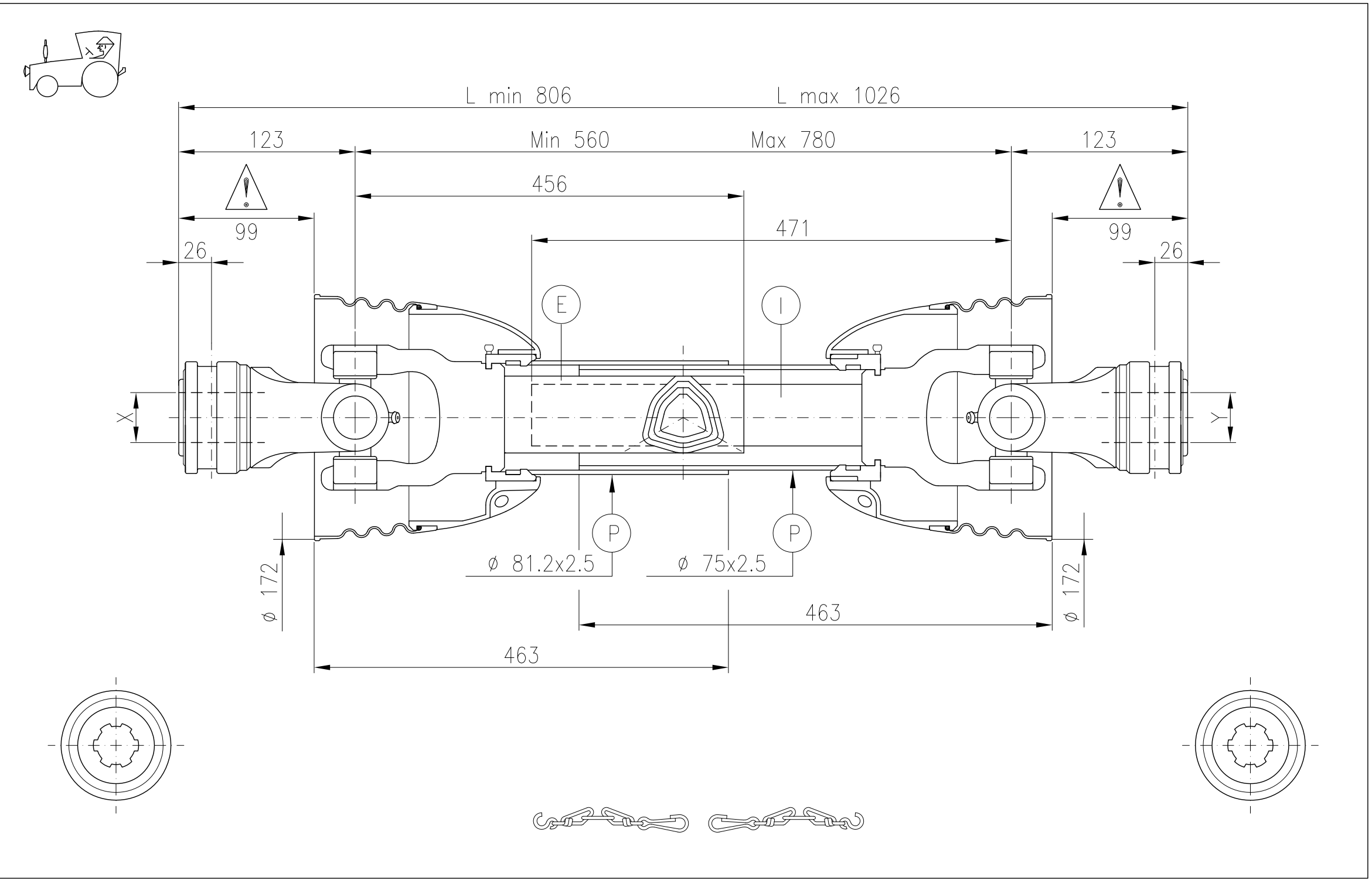
Cross and tubes



End fittings		Max. torque
Tractor	Cod: C12	-
Implement	Cod: C12	-

Notes:
 CERTIFIED

Warning !
 Sections of driveline marked are not shielded and must be shielded by an interactive guarding system.
 COMER spa declines responsibility if proper guards are not provided or maintained.



Data 540 r.p.m.

KW	CV	Nm.	in.lb.
47	64	830	7350

Data 1000 r.p.m.

KW	CV	Nm.	in.lb.
74	100	710	6259

1100 min.⁻¹
 r.p.m. max.

Data for only critical velocity

540 r.p.m.		1000 r.p.m.	
Max.	-	Max.	-
L max.	-	L max.	-

Continuous operation data and conditions, working angle 5°, average life 1000 hours

Checked: _____ Signed by: A.Sa.

Customer: _____
 Date: 28-08-20